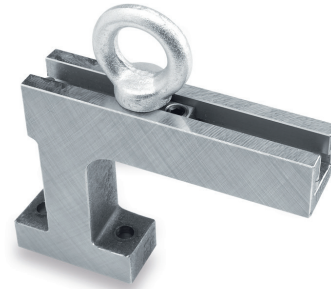
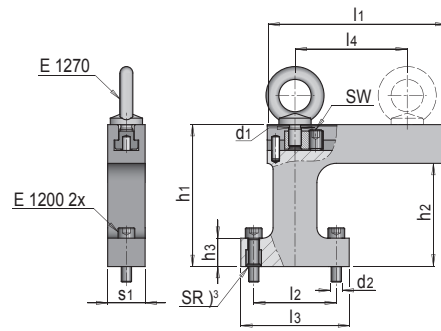


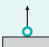
### PRODUCT DESCRIPTION

- » Combined locking mechanism and transport securing device
- » Centre of gravity can be adjusted and fixed

### MATERIAL

- » 1.1730  $\approx$  640 N/mm<sup>2</sup>



	l4 max.	d1	d2	h1	h3	l1	l3	s1	SW <sup>1)</sup>	l2 <sup>2)</sup>	h2	No.	EUR
max. kg													
150	88	M10	M 8	110	18	137	64	29	5	<b>44</b>	<b>80</b>	E 1930/ 44/ 80	<>
230	88	M10	M10	127	25	137	84	29	5	<b>64</b>	<b>97</b>	E 1930/ 64/ 97	<>
700	118	M16	M12	147	27	183	106	49	6	<b>82</b>	<b>107</b>	E 1930/ 82/107	<>
1,200	162	M20	M16	209	36	244	134	59	8	<b>100</b>	<b>155</b>	E 1930/100/155	<>

1) SW: position of tenon block can be fixed.

2) l2: the screws keep the mould halves locked at the split line face. 3) SR: threadlocker

