

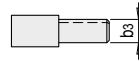
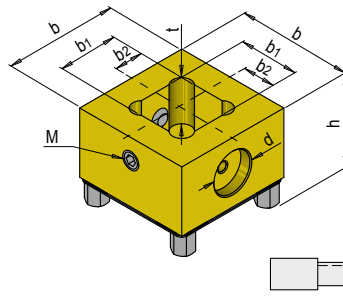



DESCRIZIONE DEL PRODOTTO

- » Compatibile con ITS-50
- » Preparato per codificare chip
- » Con viti di fissaggio incluse

MATERIALE

- » 2.0401



b	h	d	t	M	b1	b2	b3	 Pz. / UDC	N°	EUR
51	41	18	20	M 6	11,5	5	10	1	HER 1472/10	<>
51	41	18	20	M 6	11,5	5	10	12	HER 1472/10/Set-12	<>
51	41	18	20	M 8	16,5	7,5	15	1	HER 1472/15	<>
51	41	18	20	M 8	16,5	7,5	15	12	HER 1472/15/Set-12	<>
51	41	18	20	M 8	21,5	10	20	1	HER 1472/20	<>
51	41	18	20	M 8	21,5	10	20	12	HER 1472/20/Set-12	<>
51	41	18	20	M 8	26,5	12,5	25	1	HER 1472/25	<>
51	41	18	20	M 8	26,5	12,5	25	12	HER 1472/25/Set-12	<>
51	41	18	20	M 8	31,5	15	30	1	HER 1472/30	<>
51	41	18	20	M 8	31,5	15	30	12	HER 1472/30/Set-12	<>