

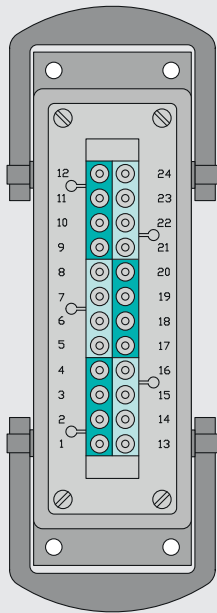
PIN ASSIGNMENTS ON HOT RUNNER CONTROLLER

MEUSBURGER-STANDARD PIN ASSIGNMENT

MEU / 001

ZONE	3	H	N
		F	L
	2	H	N
		F	L
	1	H	N
		F	L

H Heater



ZONE	6	N	H
		L	F
	5	+	H
		-	F
	4	N	H
		L	F
3	+	H	
	-	F	

F Thermocouple

- » 6 zones per connector (24-pin)
- » Variable pin assignment for thermocouple and heater
- » Connector type: compatible with industrial connectors E 27.. type B
- » Insert: female connector
- » Locking type: dual latch

Number of zones	Number of cables
	RHZ 2000/3/001/... RHZ 2000/6/001/...
6	1
12	2
18	3
24	4
36	6
48	8

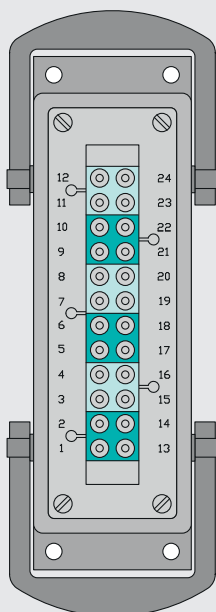
⊙ female connector

PIN-ASSIGNMENT-121:

121

ZONE	6	H	N
		F	L
	5	H	N
		F	L
	4	H	N
		F	L
3	H	N	
	F	L	
2	H	N	
	F	L	
1	H	N	
	F	L	

H Heater



ZONE	6	-	F
		+	F
	5	-	F
		+	F
	4	-	F
		+	F
3	-	F	
	+	F	
2	-	F	
	+	F	
1	-	F	
	+	F	

F Thermocouple

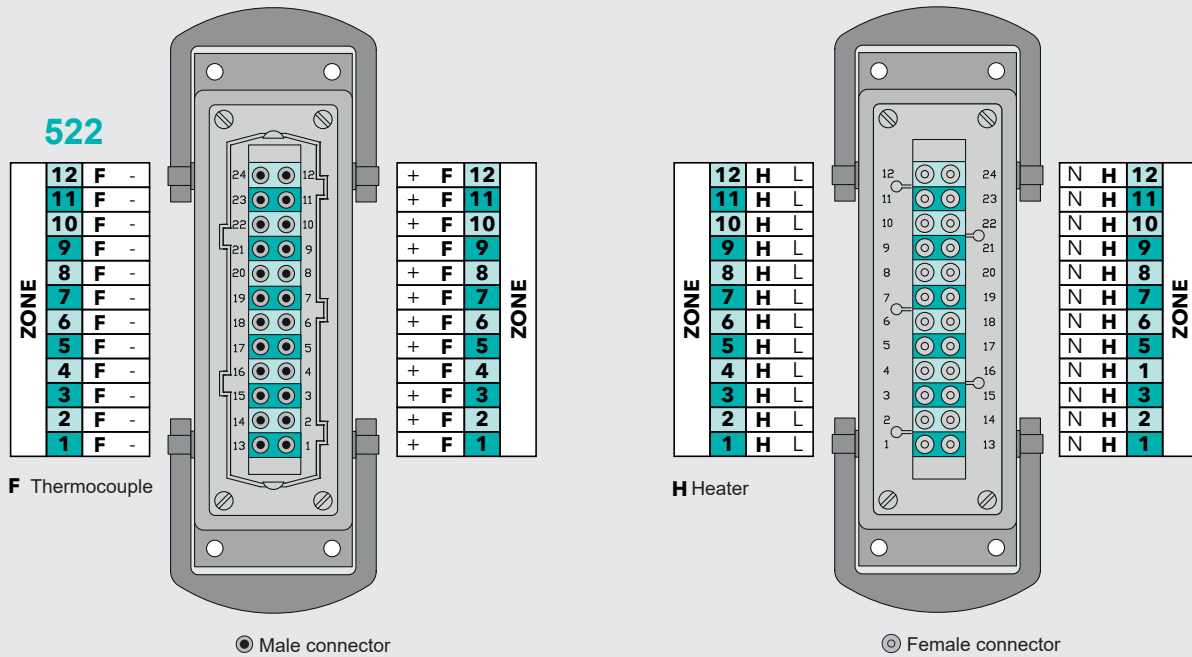
- » 6 zones per connector (24-pin)
- » Variable pin assignment for thermocouple and heater
- » Connector type: compatible with industrial connectors E 27.. type B
- » Insert: female connector
- » Locking type: dual latch

Number of zones	Number of cables
	RHZ 2000/3/121/... RHZ 2000/6/121/...
6	1
12	2
18	3
24	4

⊙ Female connector



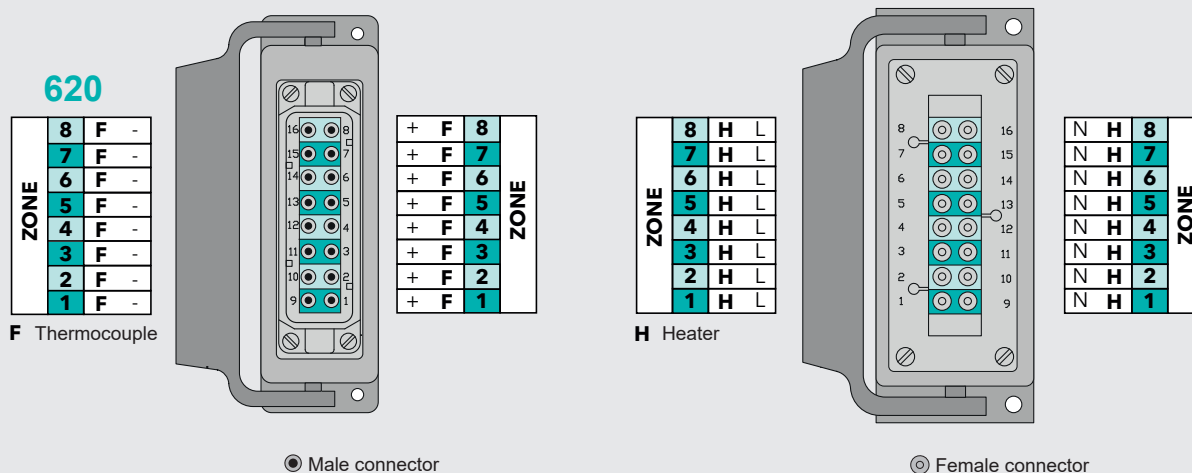
PIN-ASSIGNMENT-522:



- » 12 zones per connector (24-pin)
- » Separate output plugs for thermocouple and heater
- » Connector type: compatible with industrial connectors E 27.. type B
- » Insert: thermocouple - male, heater - female
- » Locking type: dual latch

Number of zones	Number of cables	
	Thermo-couples	heatet
6	RHZ 2200/3/522/... RHZ 2200/6/522/...	RHZ 2100/3/522/... RHZ 2100/6/522/...
12	1	1
18	2	2
24	2	2

PIN-ASSIGNMENT-620 - EUROMAP 14:



- » 8 zones per connector (16-pin)
- » Separate output plugs for thermocouple and heater
- » Heater connector type: compatible with industrial connectors E 27.. type B
- » Connector type sensor: compatible with industrial connectors E 27.. type A
- » Insert: thermocouple - male, heater - female
- » Locking type: single locking latch

Number of zones	Number of cables	
	Thermo-couples	heatet
6	RHZ 2200/3/620/... RHZ 2200/3/620/...	RHZ 2100/3/620/... RHZ 2100/6/620/...
12	1	1
18	2	2
24	3	3



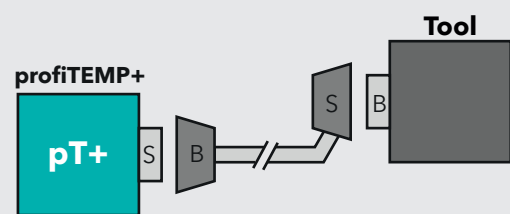
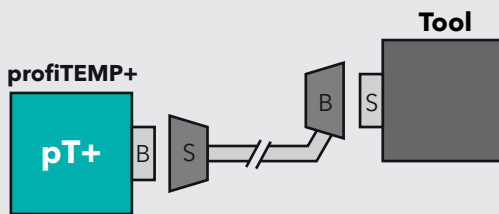
GENERAL

Number of zones	6	12	18	24	30	36	42	48
Main plug	CEE16A	CEE32A	CEE63A					

POWER CORD

The mains cable length for all devices is 3m.

OVERVIEW CONNECTING CABLE



B... Female, S... Male

Pin Assignment		Cables
MEU	mixed	RHZ 2000/3/001/... RHZ 2000/6/001/...
121	mixed	RHZ 2000/3/121/... RHZ 2000/6/121/...
522	Heater	RHZ 2100/3/522/... RHZ 2100/6/522/...
620	Heater	RHZ 2100/3/620/... RHZ 2100/6/620/...

Pin Assignment		Cables
522	Thermocouples	RHZ 2200/3/522/... RHZ 2200/6/522/...
620	Thermocouples	RHZ 2200/3/620/... RHZ 2200/6/620/...