

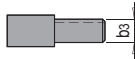
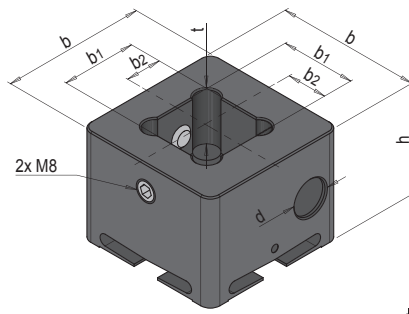


PRODUCT DESCRIPTION

- » The reference element is milled directly into the electrode holder
- » Prepared for chip encoding
- » Includes fastening screws

MATERIAL

- » 1.0038, black oxidized



b	h	d	t	b1	b2	b3	Pcs. / PU	No.	EUR
54	42.5	13	20	16.5	7.5	15	1	HER 1272/15	<>
54	42.5	13	20	16.5	7.5	15	12	HER 1272/15/Set-12	<>
54	42.5	13	20	26.5	12.5	25	1	HER 1272/25	<>
54	42.5	13	20	26.5	12.5	25	12	HER 1272/25/Set-12	<>

Spare parts on request