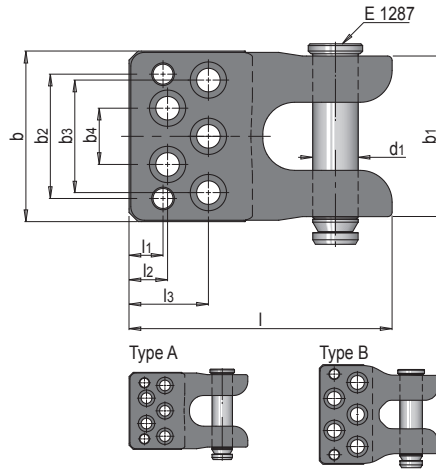


MATERIAL

» 1.0570

INCLUDED IN THE DELIVERY

» 2 x E 5345/ 22 x 45



Type	E 1200	max. kg	b	l	s	b1	l1	s1	b2	l2	b3	l3	b4	l4	d1	No.	EUR
A	24X100	8,000	188	290	67	177	37.5	125	137	42.5	124	87.5	62	227.5	50	E 1286/50	<>
B	36X120	12,000	280	333	91	220	42	150	214	42	180	107	90	258	63	E 1286/63	<>

i For safety reasons, always take into account that two lifting brackets must carry the weight of the entire die.

