

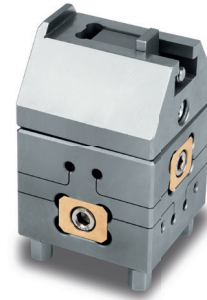
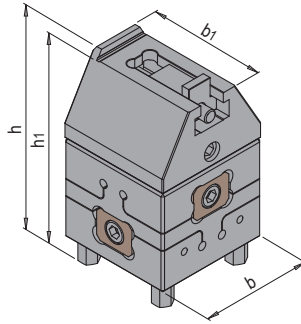


PRODUCT DESCRIPTION

- » Workpiece can be adjusted in three axes
- » Possible clamping range 0-100 mm
- » 360° angle adjustment

MATERIAL

- » Corrosion resistant / hardened



Set contents	b1	h	h1	b	No.	EUR
<ul style="list-style-type: none"> » Rotatable pendulum vice » Jaw 33-66 » Clamping spigot WEDM » Screwdriver T30 	55	95.8	91.3	55	HER 6115/55/Set-1	< >
<ul style="list-style-type: none"> » Rotatable pendulum vice » Jaw 0-33 » Jaw 33-66 » Jaw 66-100 » Clamping spigot WEDM » Screwdriver T30 	55	95.8	91.3	55	HER 6115/55/Set-2	< >